

1

2

3

4

A

A

B

B

C

C

D

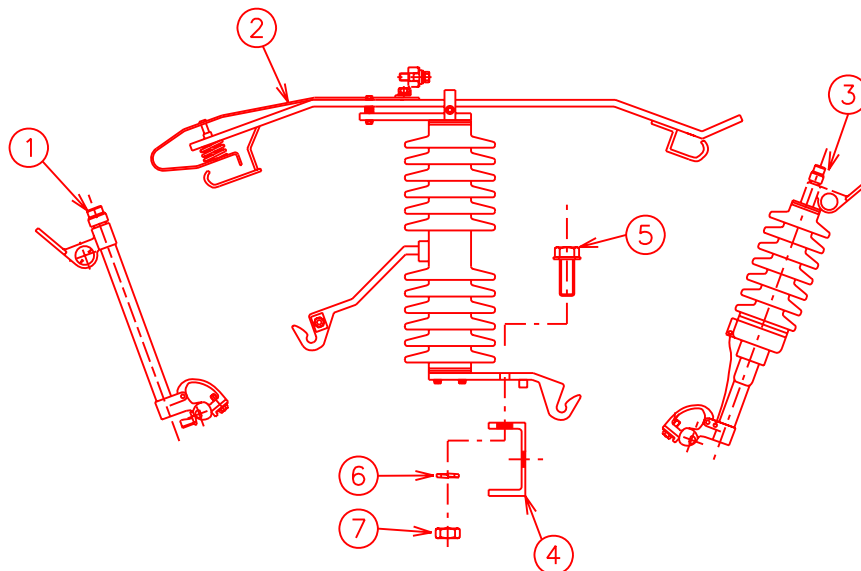
D

E

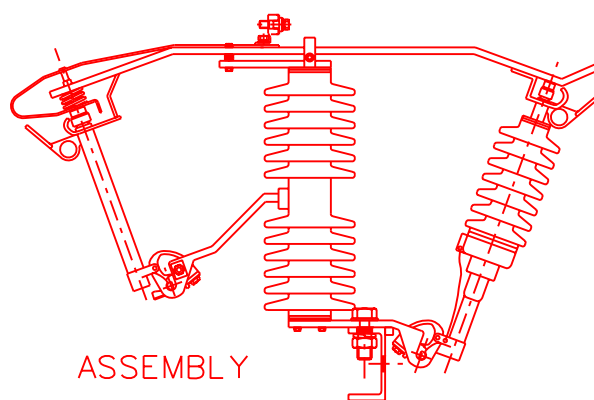
E

F

F



SUB-ASSEMBLY



ASSEMBLY

REF	DESCRIPTION	DRAWING NO.
1	FUSE CARRIER	D-DT-3086
2	COMBIUNIT BASE	D-DT-3185
3	DROP-OUT ARRESTER	D-DT-3185
4	STEEL CROSSARM	D-DT-3000 OR D-DT-3027
5	SET SCREW M20x50	TO BE SUPPLIED WITH THE COMBIUNIT
6	SPRING WASHER M20	
7	NUT M20	

REV	REVISION DESCRIPTION	BY	CHKD	AUTH	DATE	PROJECT NO.



AUTH: V. SINGH

DATE: 25.10.2010

CHKD: R. THERON

DATE: 25.10.2010

DRAWN: P.A. TRUBLET

DATE: 17.08.2010

## COMBIUNIT ASSEMBLY STEEL CROSSARM

D-DT-0294

SET

1

SHEET

1

REVISION

0

1

2

3

4 A4L