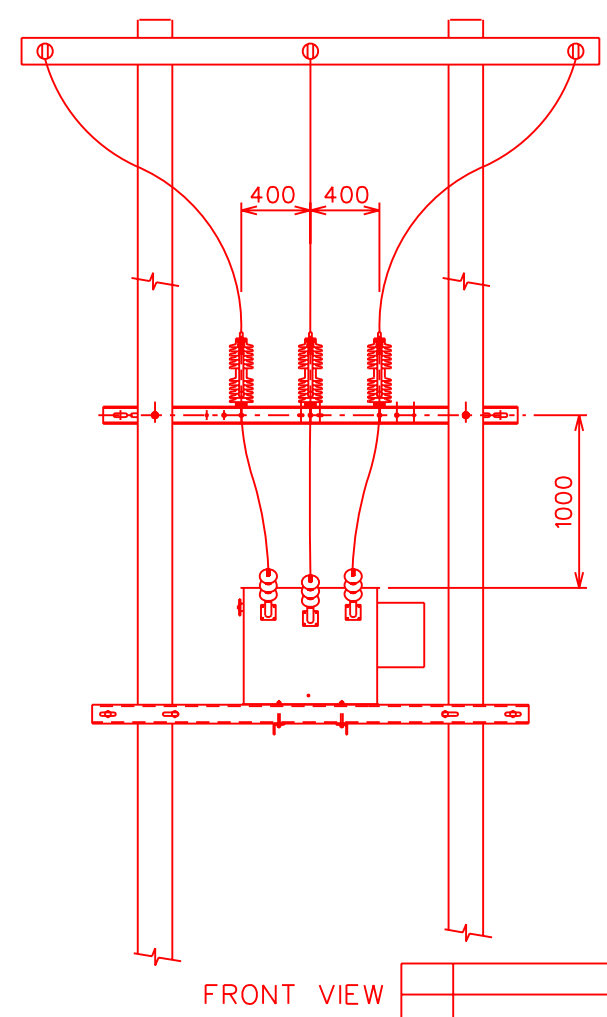
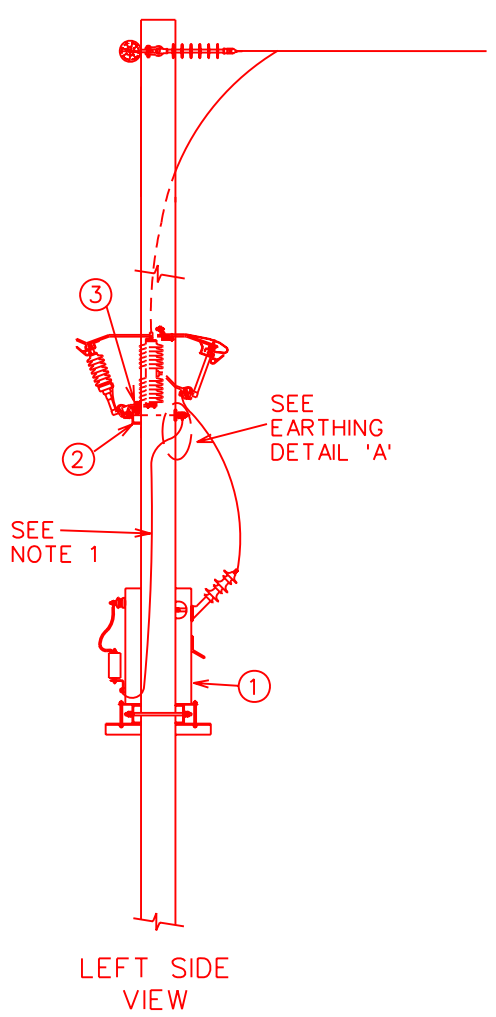
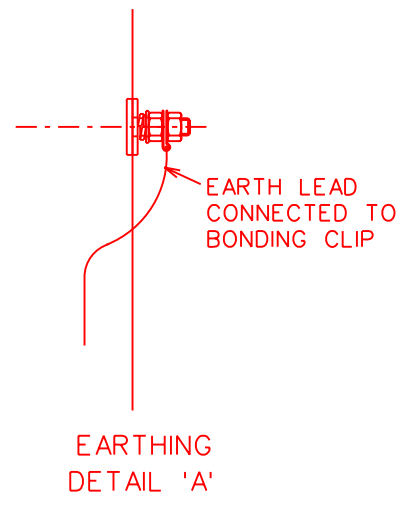


1 2 3 4 5 6 7 8

A
B
C
D
E
F



REFERENCE DRAWINGS		
ITEM	DESCRIPTION	DWG NO
STRUCTURES		
1	H-POLE MOUNTED MV TRANSFORMER	D-DT-1861
EQUIPMENT ATTACHMENTS		
2	2400 STEEL CROSSARM ASSEMBLY	D-DT-0322
3	COMBI UNIT ASSEMBLY	D-DT-0294



NOTE :

- ENSURE THAT THE COMBIUNIT IS BONDED TO THE TRANSFORMER TANK.
- AN EARTH LEAD (16mm SQ.PVC INSULATED CU (D-DT-3137)) SHOULD BE CONNECTED BETWEEN THE TRANSFORMER EARTH BOSS AND THE STEEL CHANNEL ON WHICH THE COMBIUNIT IS MOUNTED.
- CONNECTION AT COMBIUNIT CHANNEL: UTILISE THE BONDING CLIP ON THE M20 THREADED ROD.
- A CONNECTION AT TRANSFORMER: UTILISE A CRIMP LUG CU (M12x 16mm SQ.(D-DT-3102)).
- ENSURE THAT JUMPERS DO NOT INTERFERE WITH FUSE OPERATION.



REV	REVISION DESCRIPTION	BY	CHKD	AUTH	DATE	PROJECT NO.

Eskom
Distribution

AUTH: V. SINGH
DATE: 25.10.2010
CHKD: R. THERON
DATE: 25.10.2010
DRAWN: P.TRUBLET
DATE: 19.08.2010

EQUIPMENT LINKS
COMBIUNIT
2400 STEEL CROSSARM / H-POLE

D-DT-1876	SET	SHEET	REVISION
	1	1	0

1 2 3 4 5 6 7 8 A3L