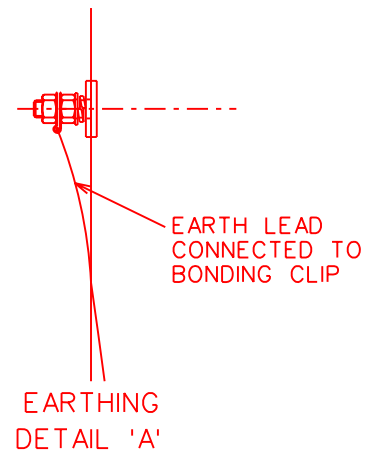
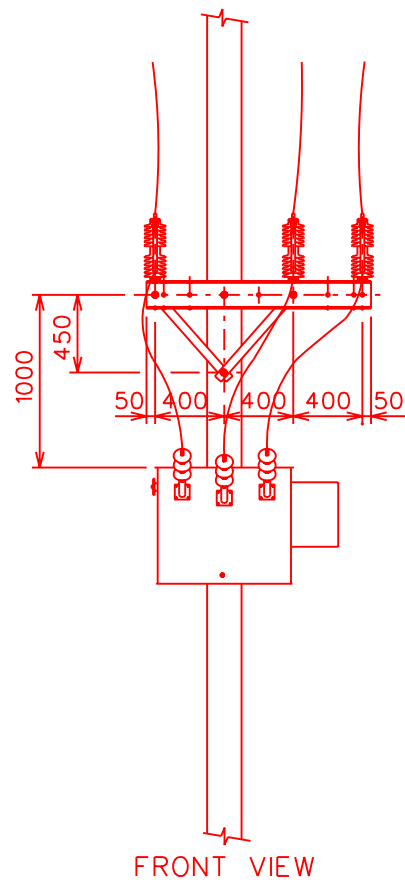
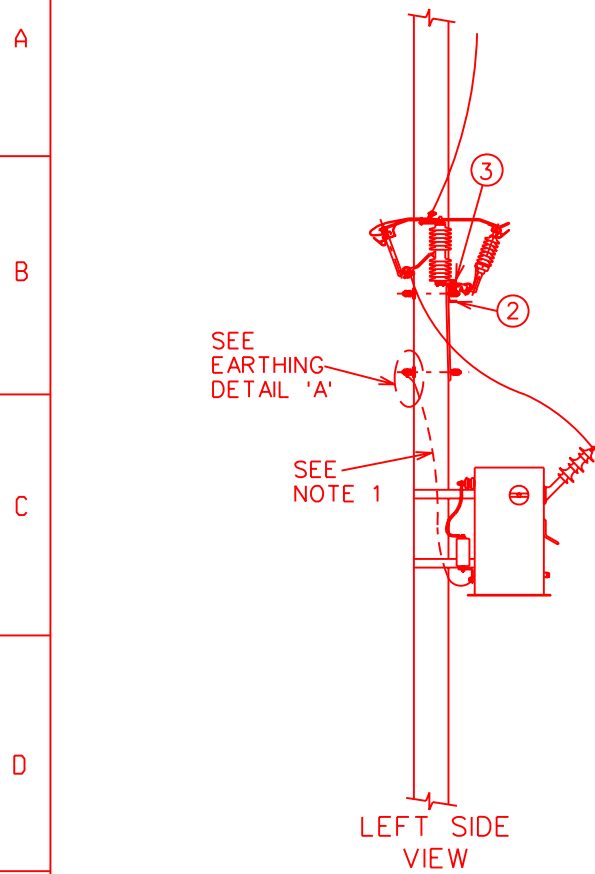


1 2 3 4 5 6 7 8

REFERENCE DRAWINGS		
ITEM	DESCRIPTION	DWG NO
STRUCTURES		
1	SINGLE POLE MOUNTED MV TRANSFORMER	D-DT-1860
EQUIPMENT ATTACHMENTS		
2	1300 STEEL CROSSARM ASSEMBLY	D-DT-0319
3	COMBI UNIT ASSEMBLY	D-DT-0294



NOTE :

- ENSURE THAT THE COMBIUNIT IS BONDED TO THE TRANSFORMER TANK.
 - AN EARTH LEAD (16mm SQ.PVC INSULATED CU (D-DT-3137)) SHOULD BE CONNECTED BETWEEN THE TRANSFORMER EARTH BOSS AND THE STEEL CHANNEL ON WHICH THE COMBIUNIT IS MOUNTED.
 - CONNECTION AT COMBIUNIT CHANNEL: UTILISE THE BONDING CLIP ON THE M20 THREADED ROD.
 - A CONNECTION AT TRANSFORMER: UTILISE A CRIMP LUG CU (M12x 16mm SQ.(D-DT-3102)).
- ENSURE THAT JUMPERS DO NOT INTERFERE WITH FUSE OPERATION.



REV	REVISION DESCRIPTION	BY	CHKD	AUTH	DATE	PROJECT NO.

Eskom
Distribution

AUTH: V. SINGH
DATE: 25.10.2010
CHKD: R. THERON
DATE: 25.10.2010
DRAWN: P.A. TRUBLET
DATE: 17.08.2010

EQUIPMENT LINKS
COMBIUNIT
1300 STEEL CROSSARM / SINGLE POLE

D-DT-1877	SET 1	SHEET 1	REVISION 0
-----------	----------	------------	---------------

1 2 3 4 5 6 7 8 A3L